

Lightdrop™

AX3 USER MANUAL



CONTENTS

- Lightdrop™
- 30° & 120° Diffusors
- Rubber Feet (x4)
- Rubber Socket Plug
- Charger
- Hooks (x3)
- Bracket
- User Manual



Manual Version: 1.2
Date of Issue: 01/11/14



- (a) Attach diffuser dome; place inside PE objects
- (b) Use as an angled spotlight with the use of the bracket or attach truss clamp into hole in the center of bracket and affix to tables, truss etc.
- (c) Attach the hooks and hang from the ceiling
- (d) Use as a wallwasher by extending the tilt thread
- (e) use thread in the bracket affix to attach stands etc.
- (f) Use the magnet and place underneath tables

Control Methods



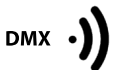
Press the ON/OFF button for 1-2 sec. to turn it on or off. Once on, press the ON/OFF button for 2.5 sec. to place into BLUE MODE (stop pressing when you see flashing blue). When in BLUE MODE, a firm tap on the ON/OFF button will scroll through the colors being displayed. To choose a color, press the ON/OFF button for 2 sec. To FACTORY RESET, press the ON/OFF button for 5 sec. until the fixture shows red color.



To use Astera's ARC1 remote control; point at your lights and press your chosen effect, color, speed, or brightness.



Astera's ARC2 remote control and Android application, the AsteraApp™, can group many lights together, address individual lights or groups of lights and send complex effects to all lights in range. For additional information refer to the manual and quickstart guide for the ARC2 and ART6 at www.astera-led.com/downloads



Connect an ART3 (Wireless DMX Transmitter) to your DMX desk to send wireless DMX signals to the AX3. You can set the AX3's DMX address from any Astera RF remote controller. Refer to ARC2 manual to learn how to set the DMX address.

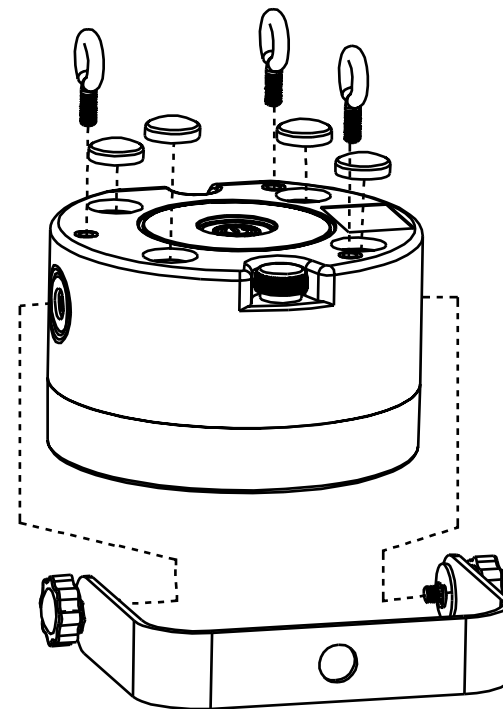


The AX3 (CRMX version) can also be controlled by CRMX Wireless DMX, which also supports W-DMX (from Wireless Solutions). The pairing of AX3 to Transmitter is done automatically. To unpair, simply do a FACTORY RESET (as indicated above). See manufacturer's manual for more info.

Key Functions



Assembly





Lightdrop™

Technical Data

Item Codes:	AX3 AX3-CRMX (includes Lumen Radio CRMX)
Total LED Power:	15W (1 x RGBW CREE LED Chip)
Luminous Flux:	850 lm on 6500K White
Illuminance:	3000 lx at 1m typical values at 6500K White 760 lx at 2m
Strobe:	0-25Hz
Beam Angle:	13° (achieved through Khatod lens)
Battery:	Built-in Samsung battery
Battery Lifetime:	70% capacity (after 300 charging cycles)
Operation:	5-15 hours
LED Lifetime:	50,000 hours
Charging Time:	5-20 hours (depending on ambient temp.)
Ambient Charging Temperature:	0°-35°C (40°C max.)
Working Voltage:	Input 110-240V, 50/60Hz
Input Current:	2.5A at 5V
Wireless Module:	868MHz receiver (US: 902-928MHz) 2.4GHz wireless module
Range:	300m (330yds)
DMX Interface:	Wireless DMX (with ART3 Transmitter)
Optional DMX Interface:	CRMX Wireless DMX from Lumen Radio also supports W-DMX
Housing:	Polyamide / Polystyrene
IP Rating:	IP65 (when rubber charging plug is inserted)
Relative Humidity:	0-100% (non-condensing)
Operating Temperature:	0°-40°C (32°-104°F)
Weight:	0.430kg (0.9lbs)
Dimensions:	L119mm x H59mm x W110mm L5.1" x H2.3" x W4.3"
Environment:	Indoor / Outdoor
Features:	TruColor™ Calibration, Temperature compensation, Dynamic power-boost
Included Accessories:	Charger, 30° & 120° Diffusers, Hooks, Bracket, Rubber Feet (x4), Charging Port Plug
Also Available:	17"x46° Wallwash Diffuser & Diffuser Dome

Battery Status

While on standby or during operation, press the ON/OFF button to check the status of the battery.



Less than 30mins runtime remaining; recharge



Up to 30mins runtime have been used



Over 30mins runtime have been used

Charging

Only charge when the fixture is powered off. The charging status colors below are only present in this state. The ambient charging temperature is 0°-35°C.



Slow flashing; 0°-35°C charging at full current



Slow flashing; 36°-40°C charging at reduced current



Fast flashing; ≤-1°C or ≥41°C fixture is under/overheating charging has stopped



Fast flashing; battery error

Troubleshooting

How can I see if My Lightdrop™ is on or off..

Tap the ON/OFF button and if it displays the battery status above, the fixture is on.

My Lightdrop™ will not start up..

The battery may be empty. Connect it to the AC and try again. If there is still no power, consult your Astera Service Center.

My Lightdrop™ starts up, but the LEDs do not emit light..

The fixture could be set to BLACKOUT mode or set to display black color. If set to BLACKOUT, use the remote control to adjust the intensity or color. If this does not solve the problem, do a FACTORY RESET to wipe all settings.

My Lightdrop™ is not working correctly - it does not display the color or effect chosen..

The fixture may still be operating under a previous setting. Do a FACTORY RESET to completely wipe all settings.

After completing a Factory Reset, my Lightdrop™ still cannot be controlled..

Make sure the RADIO PIN of the fixture and controller are the same. If it still cannot be controlled, consult your Astera Service Center.

My Lightdrop™ has a shorter runtime than 8 hours..

The LED POWER default setting is HIGH BRIGHTNESS. To achieve a greater battery runtime, set the LED POWER to NORMAL or MAXIMISE RUNTIME, which will guarantee either 8 hrs or 15 hrs of operation. Alternatively, program the fixture to only display colors that use less power, such as Red, Green and Blue.

The charger is plugged in but my Lightdrop™ is not charging..

If the status LED is flashing red or alternating between red and blue, make sure the Lightdrop™ is powered off and the ambient temperature is below 40°C. If it has been charging in a warmer environment before, it may take longer to cool down. If the Indicator LED is not flashing at all, it is not connected correctly. If it still not charging, consult your Astera Service Center.

Charging is very slow..

Check the color of the Status LED. If it is red or flashing yellow, move the light into a colder environment.

My Lightdrop™ will not pair with my Lumen Radio Transmitter..

It may be that your Lightdrop™ is already paired with another transmitter. Start by doing a FACTORY RESET of your Lightdrop™ in order to unpair it from CRMX devices, then try re-pairing. If it still cannot be paired, it may be that your transmitter is faulty, and you should consult your Astera Service Center or contact Lumen Radio support.

Safety



Before you operate this device, read the manual carefully. Keep in mind that this manual cannot address all possible dangers and environments. Please use your own caution when operating.



Do not operate the device in areas of temperature conditions or under direct sunlight. It will cause abnormal function or damage the product.



Only qualified personnel may repair this product. Do not open the product housing.



A rechargeable battery is built into this device. Please avoid bumping or plunging, it will cause FIRE or EXPLOSION. Never store the battery when fully drained. Always recharge immediately when empty.



Make sure to fully charge all units before storing them. Partially charged batteries will lose capacity. Do not store the unit for longer than 3 months without re-charging.



The exterior surfaces of the Lightdrop™ can become hot, up to 55° C, during normal operation. Ensure that accidental physical contact with the device is not possible. Allow all Lightdrop™ devices to cool before servicing. Use only Astera approved accessories to diffuse or modify the light beam.



Do not directly look at the light beam for long periods. It can cause harm to your eyes. Do not look into the beam at a distance of less than 0.5m (20 inches) from the front surface of the product, and do not look at LEDs with a magnifying glass or any other optical instrument that may concentrate the light output.

This product is for professional use only. It is not intended for household use.